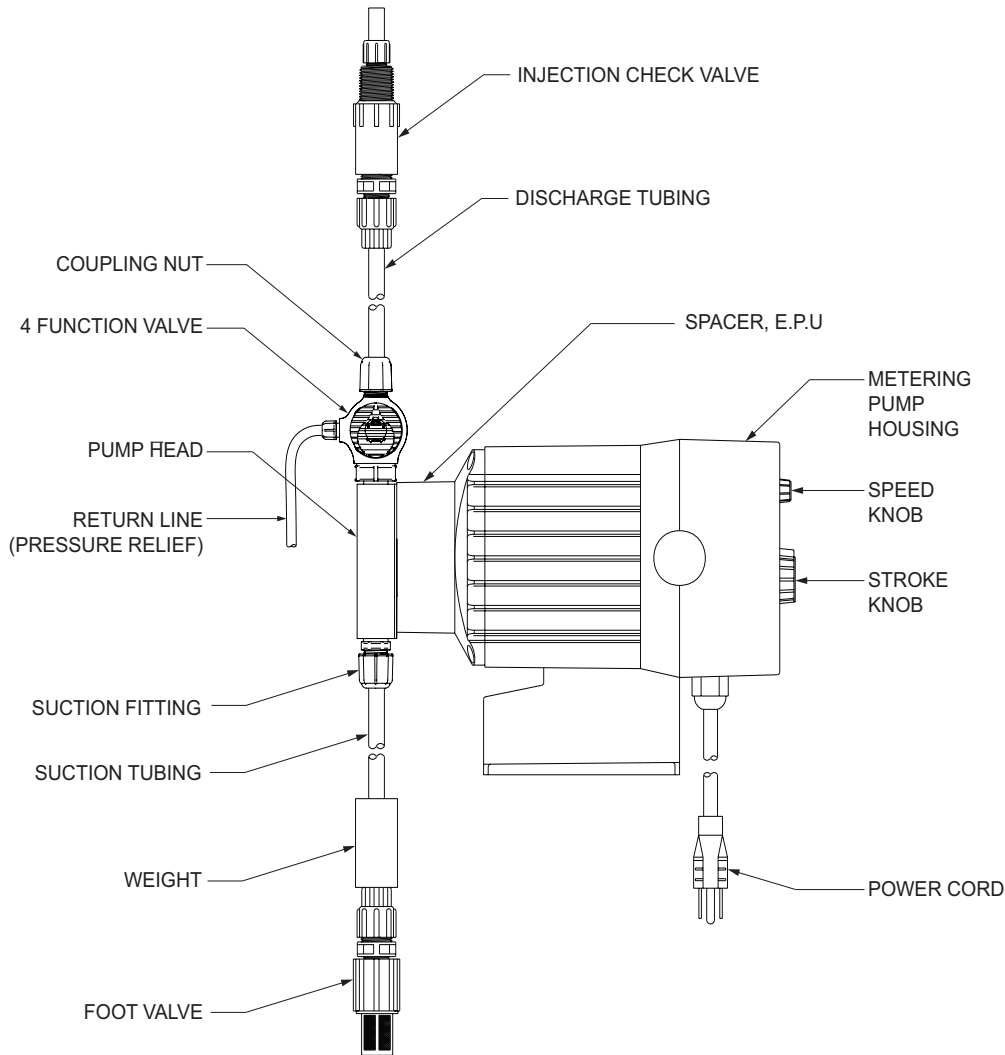




LMI[®]

an Accudyne Industries brand



Metering Pump Component Diagram

Series B1

Electronic Metering Pump

Instruction Supplement

Manual No : 1828

Rev. : C

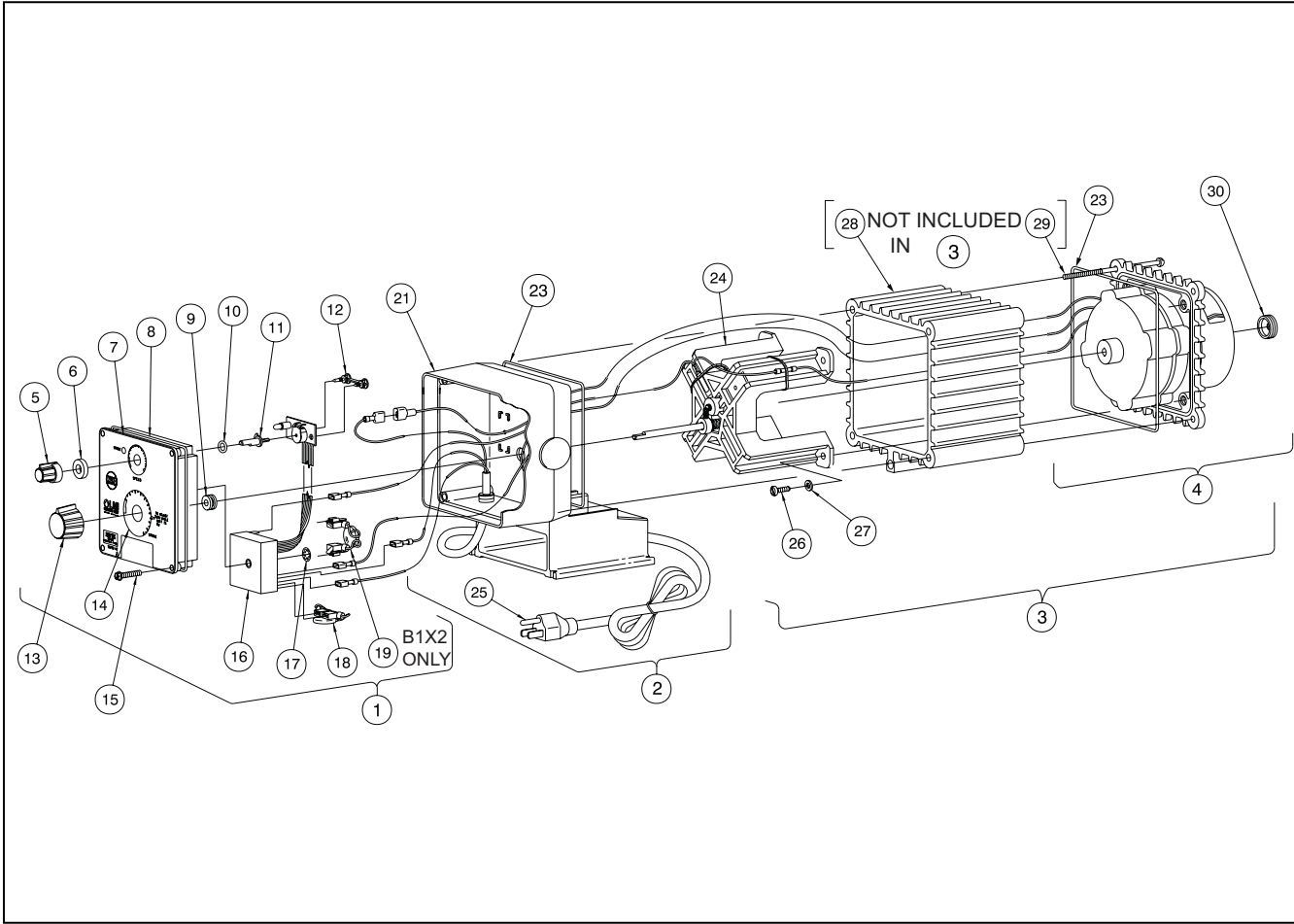
Rev. Date : 10/2015



LMI[®]

an Accudyne Industries brand

SERIES B1 DRIVE ASSEMBLY EXPLODED VIEW DIAGRAM



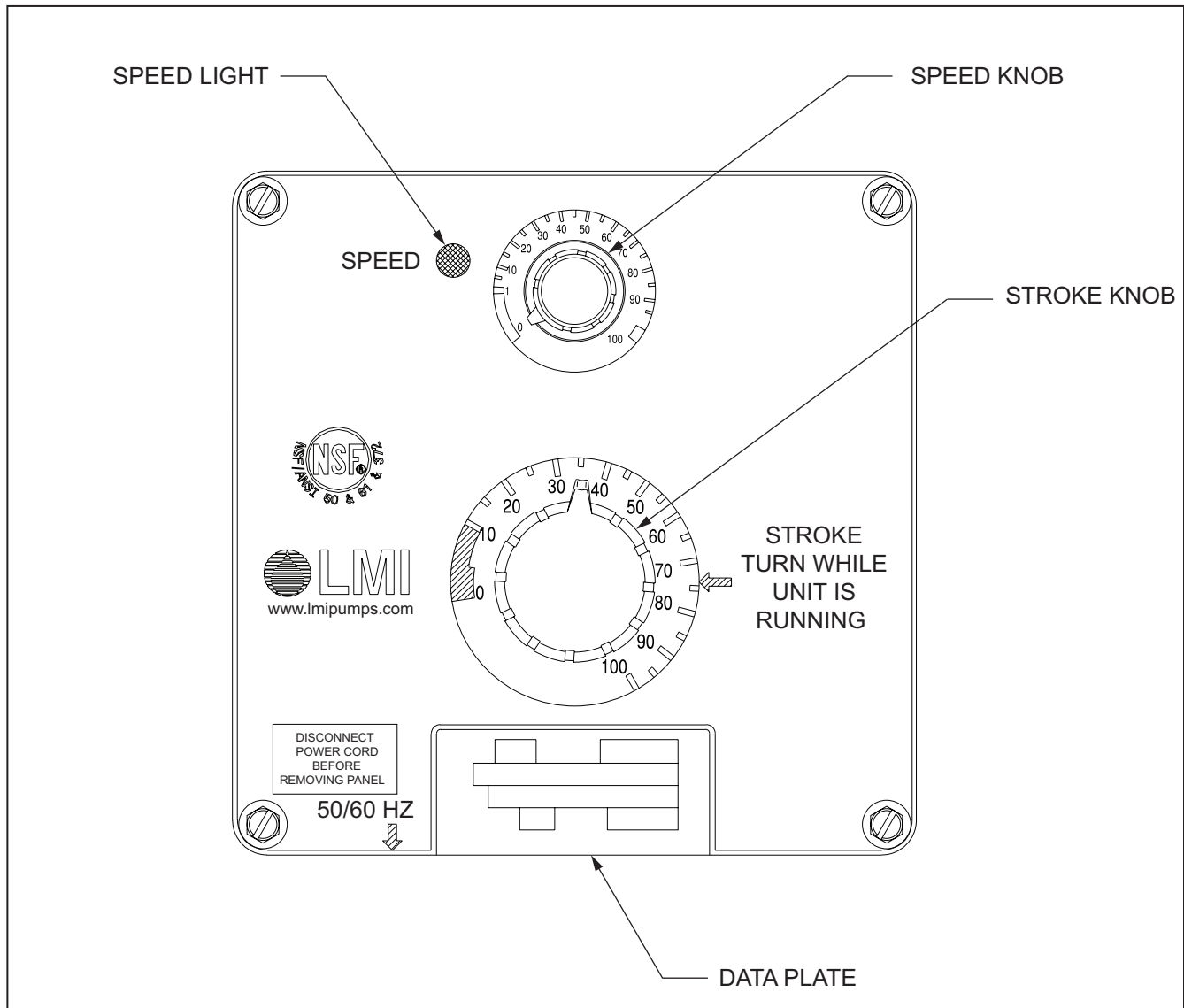
SERIES B1 DRIVE ASSEMBLY PARTS LIST

Key Number	Model Series	Part Number	Description	Qty
1	B111	36234	Control Panel Assembly, 115V	1
	B112	36235	Control Panel Assembly, 230V US	1
	B113, B115, B116, B117	36236	Control Panel Assembly, 230-250V	1
	B121, B131, B141	36229	Control Panel Assembly, 115V	1
	B122, B132, B142	36230	Control Panel Assembly, 230V US	
	B123, B133, B143, B125, B135, B145, B126, B136, B146, B127, B137, B147	36231	Control Panel Assembly, 230-250V	1
2	B111, B121, B9131, B141	26087	Housing Assembly, 115V	1
	B112, B122, B132, B142	26088	Housing Assembly, 230V US	1
	B113, B123, B133, B143	26089	Housing Assembly, 230V DIN	1
	B115, B125, B135, B145	26819	Housing Assembly, 240V UK	1
	B116, B126, B136, B146	26820	Housing Assembly, 250V AUST	1
	B117, B127, B137, B147	28256	Housing Assembly, 230V SWISS	1
3	B111, B121	31927	EPU & Spacer Assembly w/Stroke Adj., 115V, 0.9SI	1
	B112, B122, B113, B123, B115, B125, B116, B126 B117, B127	31928	EPU & Spacer Assembly w/Stroke Adj., 230V, 0.9SI	1
	B131	31929	EPU & Spacer Assembly w/Stroke Adj., 115V, 1.8SI	1
	B132, B133, B135, B136, B137	31930	EPU & Spacer Assembly w/Stroke Adj., 230V, 1.8SI	1
	B141	31931	EPU & Spacer Assembly w/Stroke Adj., 115V, 3.0SI	1
	B142, B143, B145, B146, B147	31932	EPU & Spacer Assembly w/Stroke Adj., 230V, 3.0SI	1
4	B111, B121	26893	EPU & Spacer Assembly, 115V, 0.9SI	1
	B112, B122, B113, B123, B115, B125, B116, B126, B117, B127	26894	EPU & Spacer Assembly, 230V, 0.9SI	1
	B131	26897	EPU & Spacer Assembly, 115V, 1.8SI	1
	B132, B133, B135, B136, B137	26898	EPU & Spacer Assembly, 230V, 1.9SI	1
	B141	29618	EPU & Spacer Assembly, 115V, 3.0SI	1
	B142, B143, B145, B146, B147	29619	EPU & Spacer Assembly, 230V, 3.0SI	1

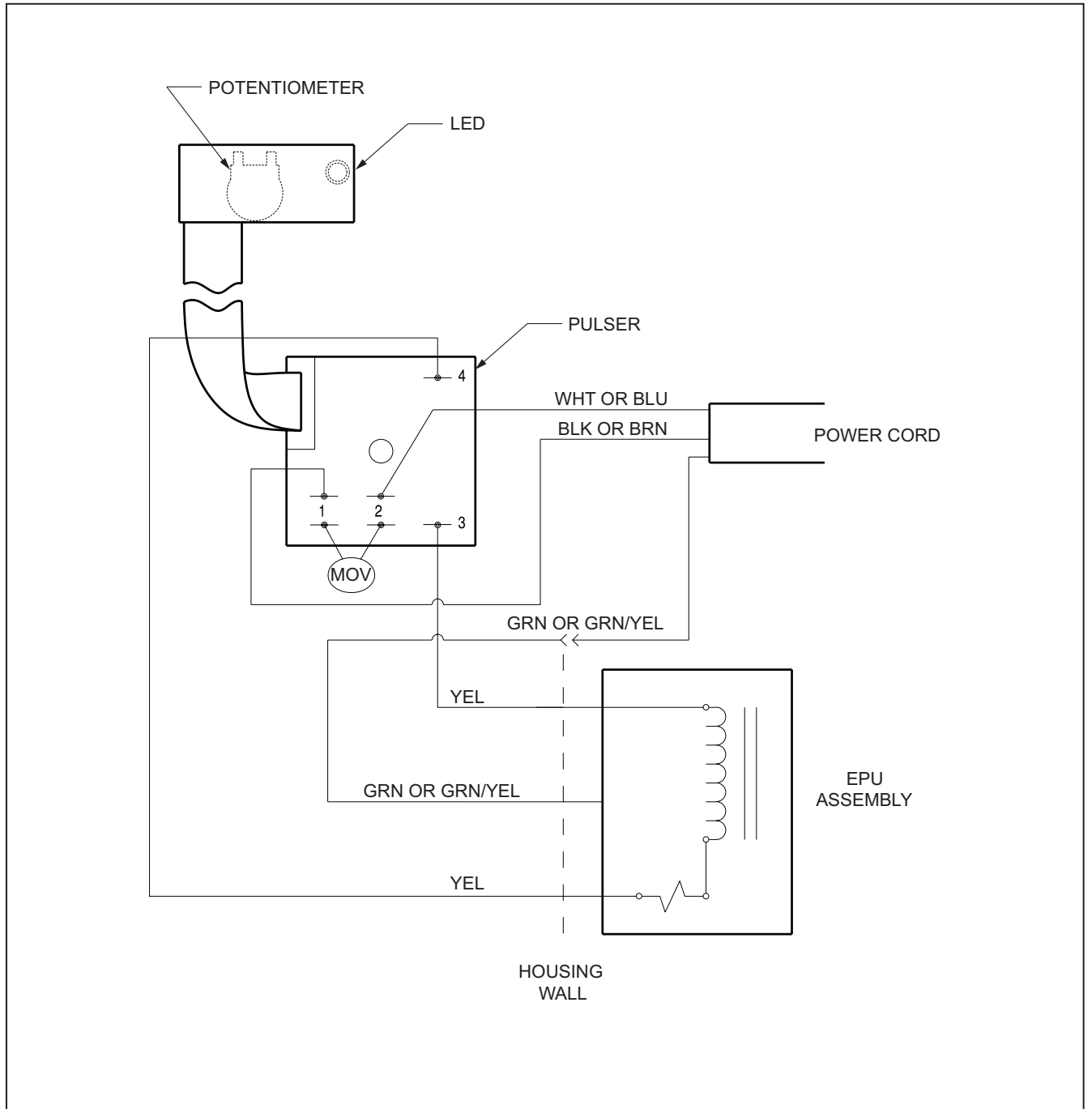
SERIES B1 DRIVE ASSEMBLY PARTS LIST

Key Number	Model Series	Part Number	Description	Qty
5	B1	30709	Speed Knob	1
6	B1	30803	Gasket	1
7	B1	36256	Panel with Nameplate	1
8	B1	10166	O-Ring	1
9	B1	10465	Grommet	1
10	B1	34497	O-Ring	1
11	B1	35743	Speed Shaft	1
12	B1	35744	Dual Pin	1
13	B1	31891	Stroke Knob Assembly	1
14	B11	25882	Stroke Dial	1
15	B1	30306	Screw	4
16	B1	36255	Pulser	1
17	B1	10422	Retaining Ring	1
18	B111, B121, B131, B141	10626	Varistor Assembly, 115V	1
	B112, B122, B132, B142, B113, B123, B133, B143, B115, B125, B135, B145, B116, B126, B136, B146, B117, B127, B137, B147	10627	Varistor Assembly, 230-250V	
19	B112, B122, B132, B142	25268	Power Cord, 230V US	1
21	B1	35398	Housing	1
23	B1	35269	O-Ring	2
24	B1	31898	Stroke Adjustment Assembly	1
25	B111, B121, B131, B141	26293	Power Cord Assembly, 115V	1
	B112, B122, B132, B142	26296	Power Cord Assembly, 230V US	1
	B113, B123, B133, B143	26297	Power Cord Assembly, 230V DIN	1
	B115, B125, B135, B145	26817	Power Cord Assembly, 240V UK	1
	B116, B126, B136, B146	26818	Power Cord Assembly, 250V AUST	1
	B117, B127, B137, B147	27701	Power Cord Assembly, 230V SWISS	1
26	B1	10598	Screw, 10-24X0.62 SS	4
27	B1	10415	Washer, Conical	4
28	B1	25068	EPU Sleeve	1
29	B1	25127	Screw, 10-24X4.5 SS	4
30	B1	10973	Seal	1

SERIES B1 CONTROL PANEL DETAIL



SERIES B1 WIRING DIAGRAM



We are a proud member of Accudyne Industries, a leading global provider of precision-engineered, process-critical, and technologically advanced flow control systems and industrial compressors. Delivering consistently high levels of performance, we enable customers in the most important industries and harshest environments around the world to accomplish their missions.



LMI® is a registered trademark of Milton Roy, LLC.
© 1998, 2015 Milton Roy, LLC.
Specification to change without notice.

info@lmipumps.com
www.lmipumps.com

